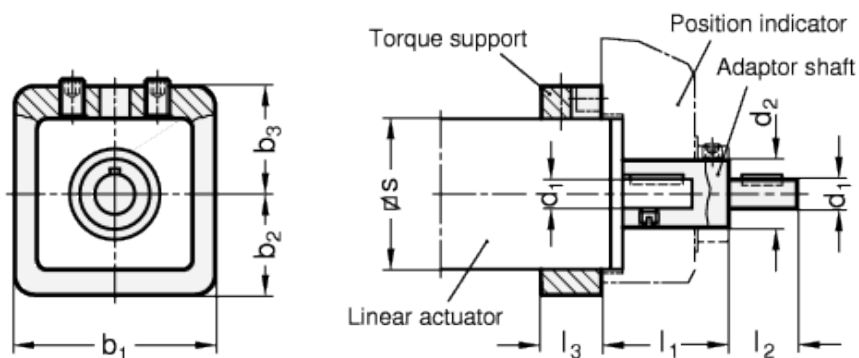


# GN 296

Installation kits for position indicators



## technical informations

### Adaptor shaft

Steel, blackened.

### Torque support

Aluminium, black grounded.

### Accessories

Position indicators and handwheels have to be ordered separately.

### Features and applications

With the installation kit GN 296 the square linear actuator can be fitted with a digital position indicator.

An installation kit comprises an adaptor shaft and a torque support.

A retrofit is possible. The handwheel is removed, the kit is mounted and the handwheel is refitted.

As a rule a counter is chosen which is matched to the pitch of the spindle with trapezoidal thread so the indicator after one complete revolution accords to the pitch of the spindle.

Standard Elements	Main dimensions									For position indicators	Weight
	s	d <sub>1 f7</sub>	d <sub>2</sub>	b <sub>1</sub>	b <sub>2</sub>	b <sub>3</sub>	l <sub>1</sub>	l <sub>2</sub>	l <sub>3</sub>		g
GN 296-30-8	30	8	14	40	20	23.5	35	15	12	DD51	-
GN 296-40-12	40	12	20	50	25	25	39	16	12	DD52R	-
GN 296-50-12	50	12	20	60	30	31.5	39	17	12	DD52R	-



STANDARD MACHINE ELEMENTS WORLDWIDE